



**Kutni zaporni ventil**  
**Globe valve-angle**

**Type KZ 2**  
**(SB 2684)**

**PN 16**

**STANDARDNA IZVEDBA**  
**STANDARD DESIGN**

**KUĆIŠTE**  
**BODY**

**GG-25/ W.Nr. 0.6025**  
**CAST IRON EN-JL 1040**

**UNUTARNJI DIJELOVI**  
**INNER PARTS**

**NEHRĐAJUĆI ČELIK**  
**STAINLESS STEEL**

**NAZIVNI OTVOR**  
**NOMINAL DIAMETER**

**DN 15-100**

**NAZIVNI TLAK (bar)**  
**NOMINAL PRESSURE**

**PN 16**

**TEMPERATURA**  
**TEMPERATURE RANGE**

**DO 300°C**  
**TO 300°C**

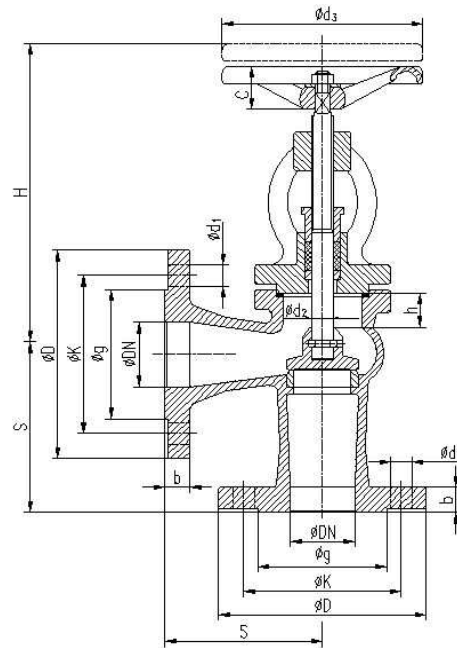
**SPAJANJE**  
**CONNECTION**

**PRIRUBNICA DIN 2501**  
**FLANGES**



**NAMJENA: VODA, PARA, ZRAK, INERTNI PLINOVI.**

**CONTENTS: WATER, STEAM, AIR, INERT GASES.**



DN	øD	øK	S	H	ød <sub>1</sub>	n
15	95	65	90	180	14	4
20	105	75	95	180	14	4
25	115	85	100	196	14	4
32	140	100	105	199	18	4
40	150	110	115	242	18	4
50	165	125	125	248	18	4
65	185	145	145	280	18	4
80	200	160	155	315	18	8
100	220	180	175	336	18	8