



**Zaporno odbojni ventil
 Globe stop and check valve**

Type ZO 3

PN 25/40

**STANDARDNA IZVEDBA
 STANDARD DESIGN**

**KUĆIŠTE
 BODY**

**GS-C25/ W.Nr. 1.0619
 CAST STEEL GP240GH**

**UNUTARNJI DIJELOVI
 INNER PARTS**

**NEHRĐAJUĆI ČELIK
 STAINLESS STEEL**

**NAZIVNI OTVOR
 NOMINAL DIAMETER**

DN 15-200

**NAZIVNI TLAK (bar)
 NOMINAL PRESSURE**

PN 25/40

**TEMPERATURA
 TEMPERATURE RANGE**

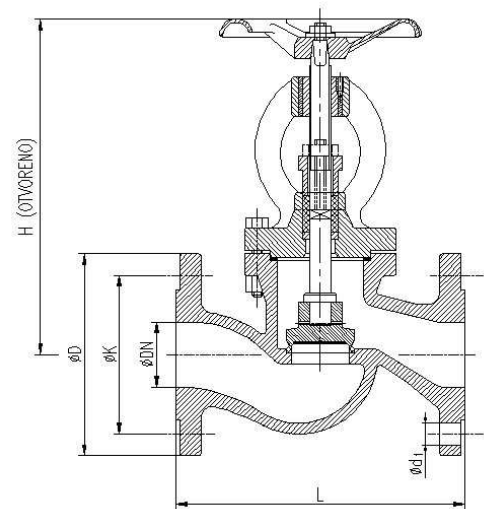
**DO 400°C
 TO 400°C**

**SPAJANJE
 CONNECTION**

**PRIRUBNICA DIN 2501
 FLANGES**



**NAMJENA: VODA, PARA, ZRAK,
 INERTNI PLINOVI.**



**CONTENTS: WATER, STEAM, AIR,
 INERT GASES.**

DN	L 25/40	H 25/40	øD 25/40	øK 25/40	ød ₁ 25/40	n 25/40	masa weight kg
15	130	153	95	65	14	4	4,8
20	150	187	105	75	14	4	5,8
25	160	187	115	85	14	4	6,6
32	180	244	140	100	18	4	10,2
40	200	244	150	110	18	4	14,6
50	230	287	165	125	18	4	14,8
65	290	335	185	145	18	8	27
80	310	370	200	160	18	8	36
100	350	445	235	190	22	8	51
125	400	500	270	220	26	8	78
150	480	536	300	250	26	8	106
200	600	634	360/375	310/320	26/30	12	165/182