



Zaporno regulacioni ventil
Regulating globe valve

Type RV 3

PN 25/40

STANDARDNA IZVEDBA
STANDARD DESIGN

KUĆIŠTE
BODY

GS-C25/ W.Nr. 1.0619
CAST STEEL GP240GH

UNUTARNJI DIJELOVI
INNER PARTS

NEHRĐAJUĆI ČELIK
STAINLESS STEEL

NAZIVNI OTVOR
NOMINAL DIAMETER

DN 15-200

NAZIVNI TLAK (bar)
NOMINAL PRESSURE

PN 25/40

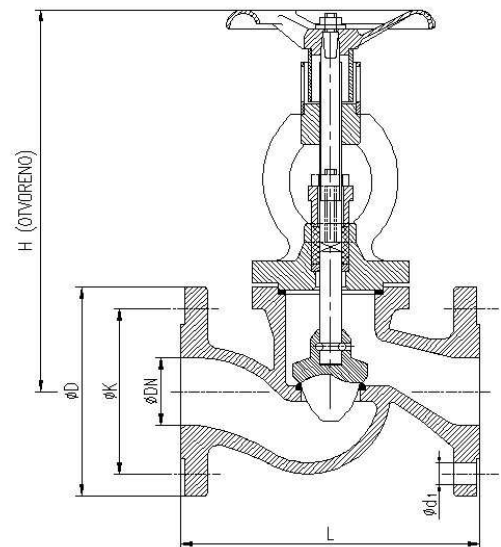
TEMPERATURA
TEMPERATURE RANGE

DO 400°C
TO 400°C

SPAJANJE
CONNECTION

PRIRUBNICA DIN 2501
FLANGES

NAMJENA: VODA, PARA, ZRAK, INERTNI PLINOVI.



CONTENTS: WATER, STEAM, AIR, INERT GASES.

DN	L 25/40	H 25/40	øD 25/40	øK 25/40	ød₁ 25/40	n 25/40	masa weight kg
15	130	240	95	65	14	4	6
20	150	240	105	75	14	4	6,5
25	160	270	115	85	14	4	8
32	180	270	140	100	18	4	11
40	200	341	150	110	18	4	20,5
50	230	341	165	125	18	4	20,5
65	290	405	185	145	18	8	28
80	310	457	200	160	18	8	55,4
100	350	491	235	190	22	8	58
125	400	569	270	220	26	8	79
150	480	639	300	250	26	8	105
200	600	775	360/375	310/320	26/30	12	165/195